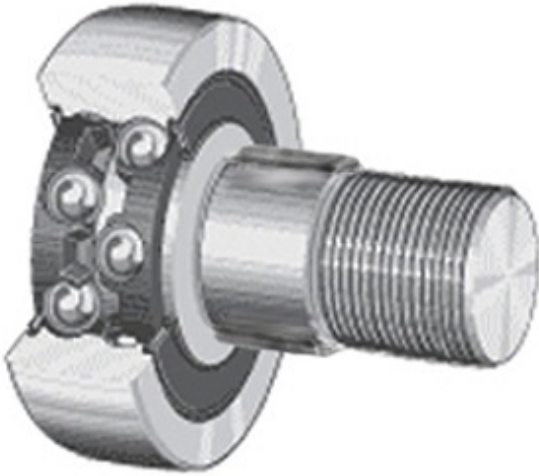




# Barden BEARING LTD

## McGill PCFE 1 3/4 Crowned & Flat Cam Followers Bearings

Bearing No. PCFE 1 3/4



PCFE 1 3/4 Bearing 2D drawings and 3D CAD models

Category	Cam Follower and Track Roller - Stud Type
Inventory	0.0
Manufacturer Name	REGAL BELOIT
Minimum Buy Quantity	N/A
Weight	0.422
EAN	0726166111359
Product Group	B04120
Roller Surface Profile	Flat
Profile	Stud Type
Thread Size	3/4-16
Stud Profile	Standard Stud with Eccentric Bushing
Enclosure	Sealed
Rolling Element	Ball Bearing-Double Row
Relubricatable	Yes
Hex Socket	Yes
Inch - Metric	Inch
Other Features	End Plug   Black Oxide Coating   Rubber Lip Seals
Long Description	1-3/4" Roller Diameter; 1-3/16" Roller Width; Flat Roller Surface Profile; 3/4" Stud Diameter; 3/4-16 Thread Size; Standard Stud with Eccentric Bushing Stud Profile; Sealed Enclosure; B
Category	Cam Followers Stud Type



## Barden BEARING LTD

UNSPSC	31171530
Harmonized Tariff Code	8482.10.50.68
Noun	Bearing
Keyword String	Cam Follower
Manufacturer URL	<a href="http://www.emerson-ept.com">http://www.emerson-ept.com</a>
Manufacturer Item Number	PCFE 1-3/4
Manufacturer Internal Number	2165100000
Weight / LBS	0.93
Roller Diameter	1.75 Inch   44.45 Millimeter
Roller Width	1.188 Inch   30.175 Millimeter
Stud Diameter	0.75 Inch   19.05 Millimeter