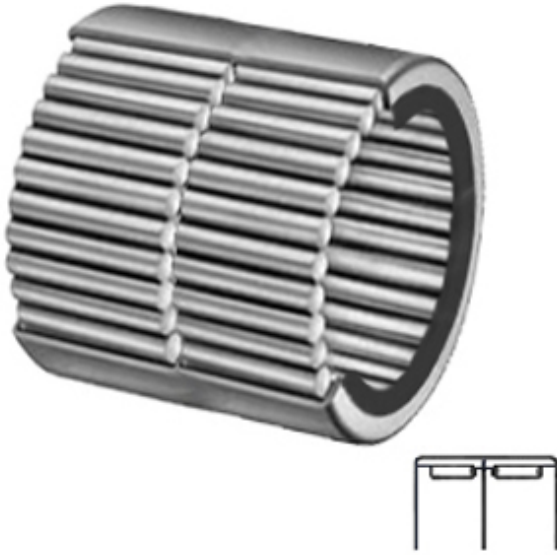




Barden BEARING LTD



GR 56 RS Bearing 2D drawings and 3D CAD models

3.5 Inch | 88.9 Millimeter x 4.5 Inch | 114.3
Millimeter x 2 Inch | 50.8 Millimeter McGill GR 56
RS Needle Roller Bearings

Bearing No. GR 56 RS

Category	Needle Non Thrust Roller Bearings
Inventory	0.0
Manufacturer Name	REGAL BELOIT
Minimum Buy Quantity	N/A
Weight	1.444
EAN	0726166063184
Product Group	B04144
Rolling Element	Needle Roller Bearing
Component	Roller Assembly with Outer Ring - No Inner Ring
Enclosure	1 Seal
Self Aligning	No
Retainer	No
Number of Rows of Rollers	Double Row
Separable	No
Closed End	No
Inch - Metric	Inch
Relubricatable	Yes
Thrust Bearing	No
Long Description	3-1/2" Bore; 4-1/2" Outside Diameter; 2" Width; Needle Roller Bearing; Roller Assembly with Outer Ring - No Inner Ring; 1 Seal Enclosure; No Self Aligning; No Retainer; Double Row



Barden BEARING LTD

	of Ro
Other Features	1 Rib Outer Ring Full Complement Heavy Duty Oil Hole
Category	Needle Non Thrust Roller Bearing
UNSPSC	31171512
Harmonized Tariff Code	8482.40.00.00
Noun	Bearing
Keyword String	Needle
Manufacturer URL	http://www.emerson-ept.com
Manufacturer Item Number	GR-56-RS
Manufacturer Internal Number	5005640000
Weight / LBS	3.18
d	3.5 Inch 88.9 Millimeter
D	4.5 Inch 114.3 Millimeter
B	2 Inch 50.8 Millimeter