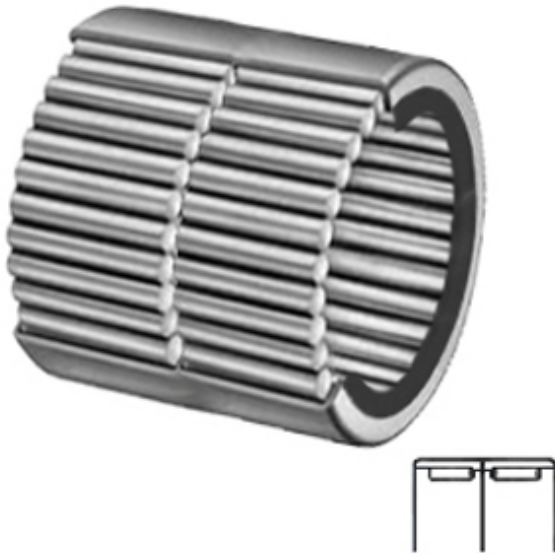




Barden BEARING LTD



GR 52 SS Bearing 2D drawings and 3D CAD models

3.25 Inch | 82.55 Millimeter x 4.25 Inch | 107.95
Millimeter x 1.75 Inch | 44.45 Millimeter McGill
GR 52 SS Needle Roller Bearings

Bearing No. GR 52 SS

Category	Needle Non Thrust Roller Bearings
Inventory	0.0
Manufacturer Name	REGAL BELOIT
Minimum Buy Quantity	N/A
Weight	1.022
EAN	0726166063092
Product Group	B04144
Rolling Element	Needle Roller Bearing
Component	Roller Assembly with Outer Ring - No Inner Ring
Enclosure	2 Seals
Self Aligning	No
Retainer	No
Number of Rows of Rollers	Double Row
Separable	No
Closed End	No
Inch - Metric	Inch
Relubricatable	Yes
Thrust Bearing	No
Long Description	3-1/4" Bore; 4-1/4" Outside Diameter; 1-3/4" Width; Needle Roller Bearing; Roller Assembly with Outer Ring - No Inner Ring; 2 Seals Enclosure; No Self Aligning; No Retainer;



Barden BEARING LTD

	Double Row
Other Features	1 Rib Outer Ring Full Complement Heavy Duty Oil Hole
Category	Needle Non Thrust Roller Bearing
UNSPSC	31171512
Harmonized Tariff Code	8482.40.00.00
Noun	Bearing
Keyword String	Needle
Manufacturer URL	http://www.emerson-ept.com
Manufacturer Item Number	GR-52-SS
Manufacturer Internal Number	5005230000
Weight / LBS	2.25
B	1.75 Inch 44.45 Millimeter
D	4.25 Inch 107.95 Millimeter
d	3.25 Inch 82.55 Millimeter